

77 51 004 Installing headlight guard

+ 77 51 653

Equipment trim-level variant:

Headlight guard^{OA}



Note

Use the headlight guard only when off-roading. Riding on public roads with the headlight guard fitted to the motorcycle is prohibited.

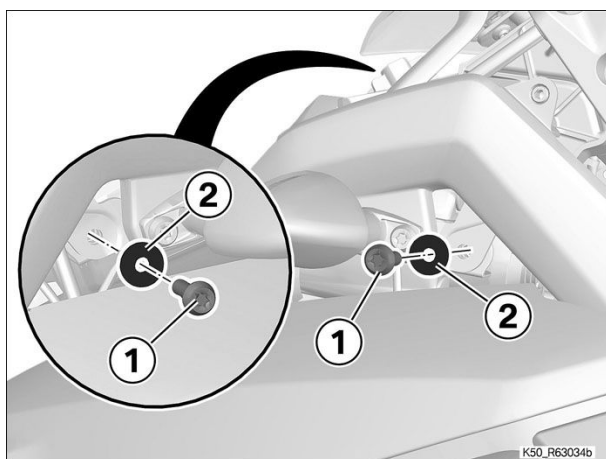
Preparatory work

Removing cockpit fairing

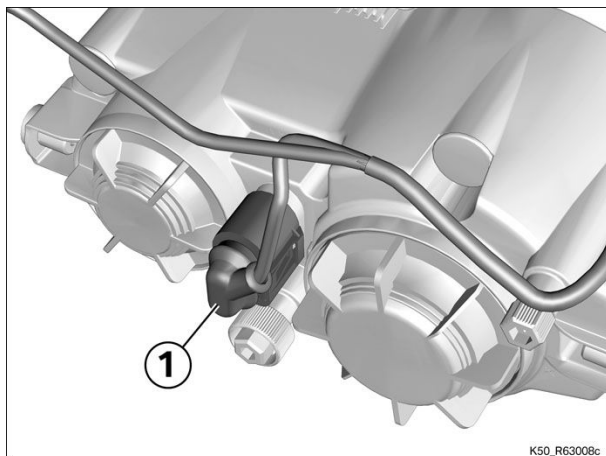
Core activity

(-) Removing headlight

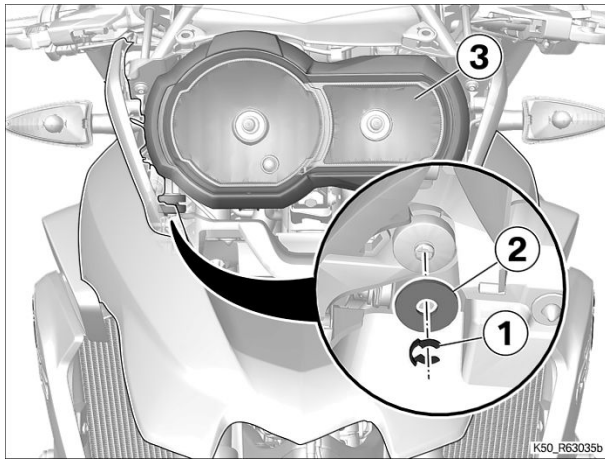
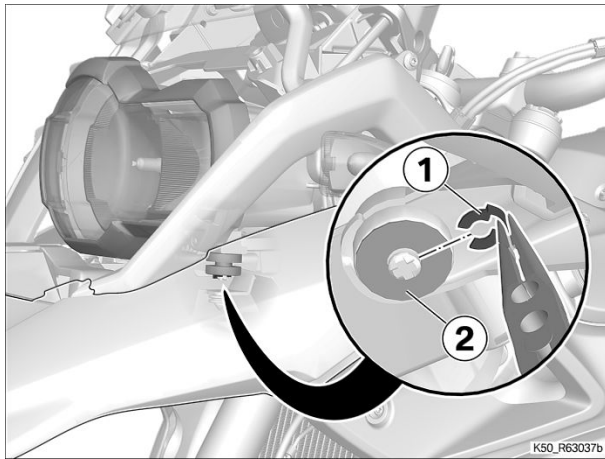
- Remove screws (1) and washers (2).



- Disconnect plug (1) for the headlight.

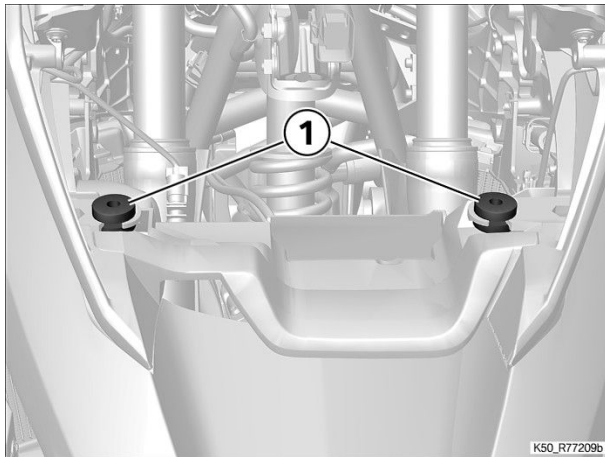


- Remove retaining clip (1) with suitable pliers.
- Remove washer (2).



- Remove retaining clip (1).
- Remove washer (2).
- Work headlight (3) up and forward to remove.

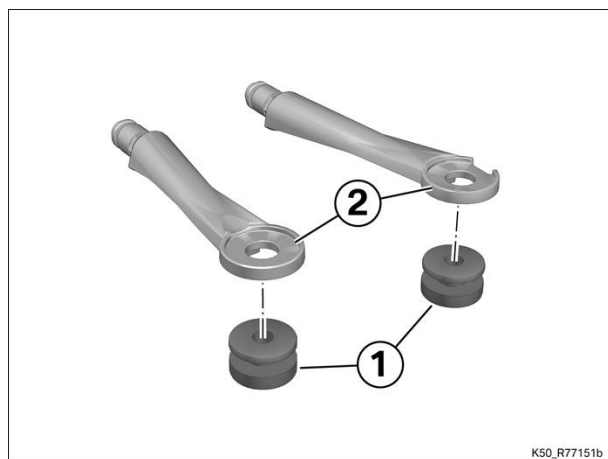
(-) Removing rubber grommets



- Remove rubber grommets (1).

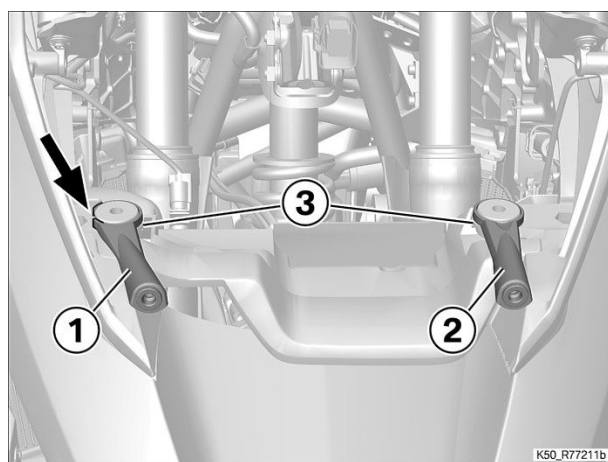
(-) Installing new rubber grommets in bottom holders

- Lightly lubricate rubber grommets (1) and install in bottom bracket (2).



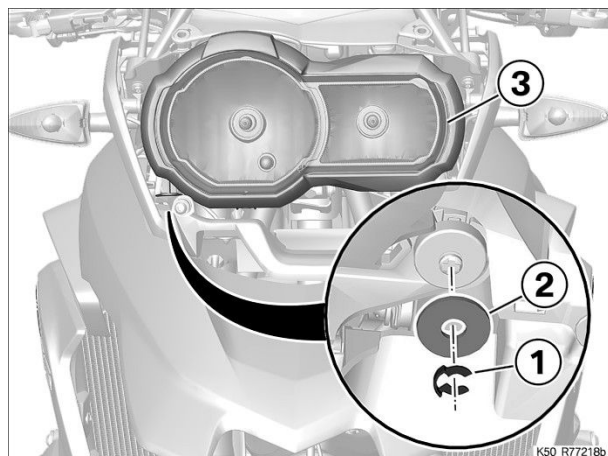
(-) Installing holder

- Install bracket (1) with recess (arrow) and bracket (2) on front panel carrier (3).

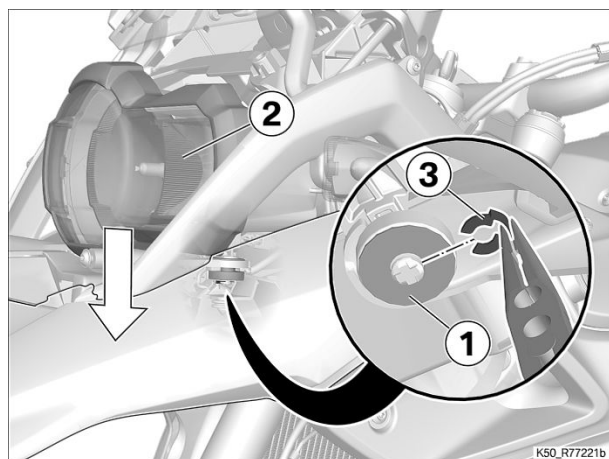


(-) Installing headlight

- Install headlight (3).
- Install washer (2).
- Install retaining clip (1).

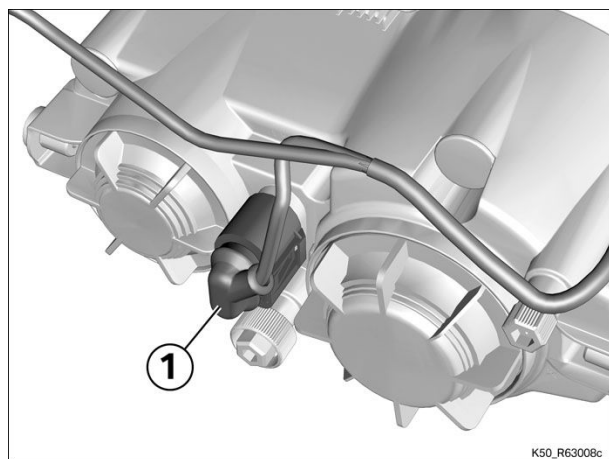


- Install washer (1) and hold in position.
- Push headlight (2) down slightly.
- Install retaining clip (3) with suitable pliers.



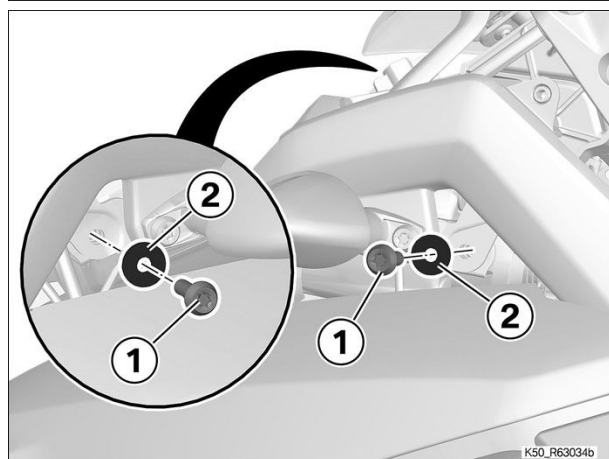
K50_R77221b

- Connect plug (1) for the headlight.




K50_R63008c

- Install screws (1) and washers (2).

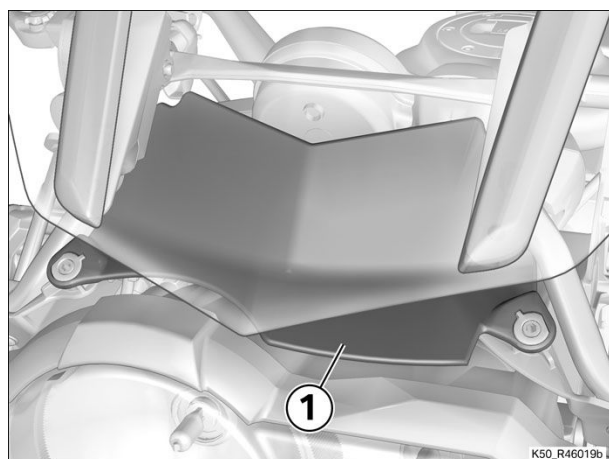


K50_R63034b

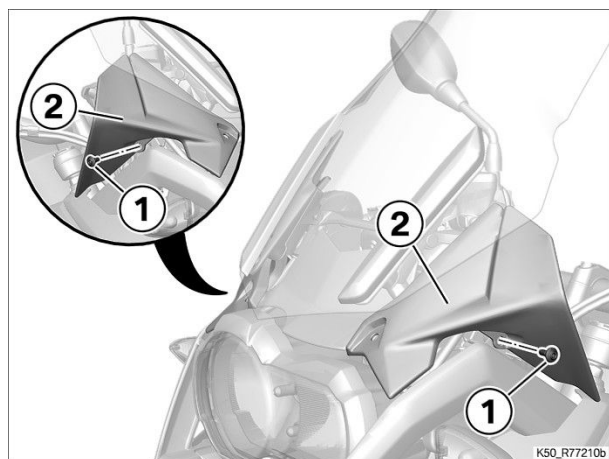
 Tightening torques		
Headlight to front panel carrier		
M6 x 20	5 Nm	

(-) Install the cockpit fairing

- Install centre cockpit fairing (1).

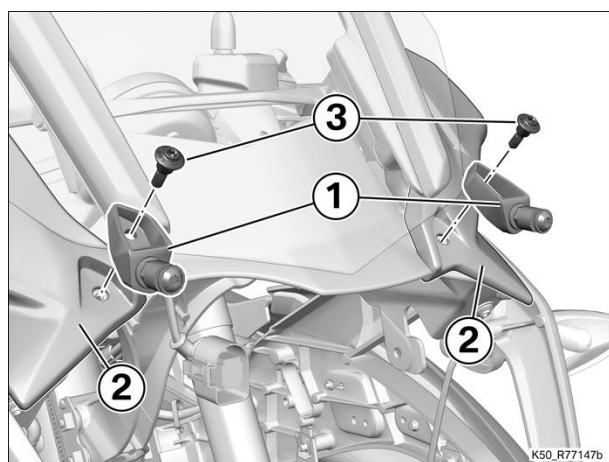


K50_R46019b



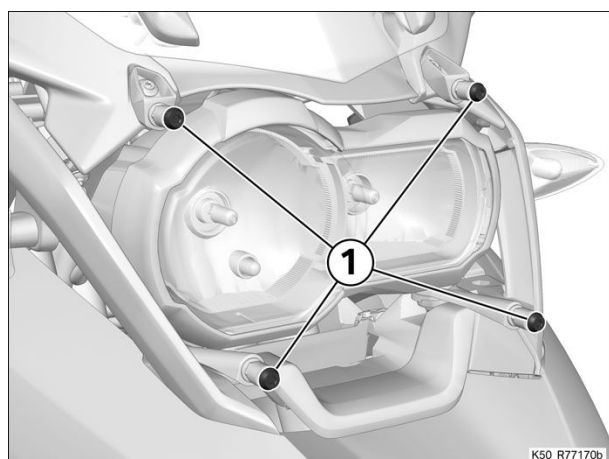
- Hold cockpit fairings (2) in position at left and right.
- Install screws (1).

(-) Installing brackets on cockpit fairing



- Position bracket (1) on cockpit fairing (2).
- Install screws with collar (3) and tighten until hand-tight.


(-) Removing screws

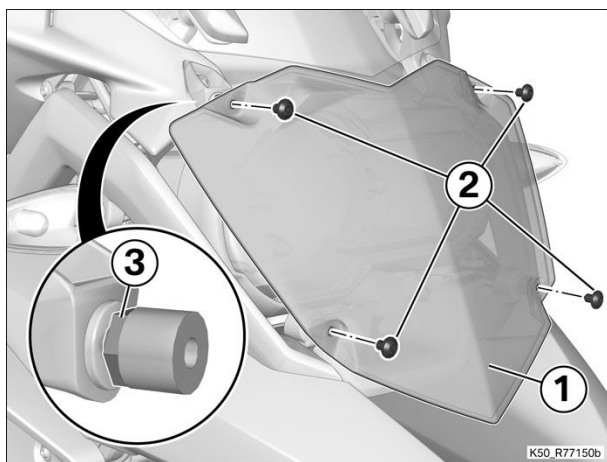


- Remove screws (1).

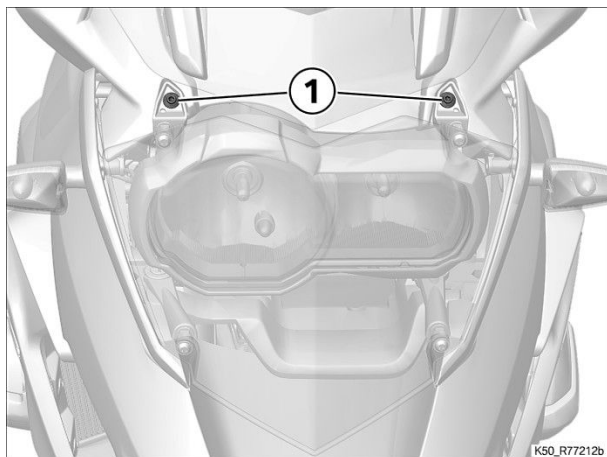
(-) Installing headlight guard

- Hold headlight guard (1) in position.
- Install screws (2), counter-holding in each case at hexagon (3).


 Tightening torques		
Spacer studs to headlight guard		
M6 x 10	2.5 Nm	



- Centre headlight guard (1).



- Tighten screws (1) of the brackets.

 Tightening torques		
Bracket to cockpit fairing		
M5 x 17.5	2 Nm	

Finishing work

Checking headlight beam throw

Final check of work performed